

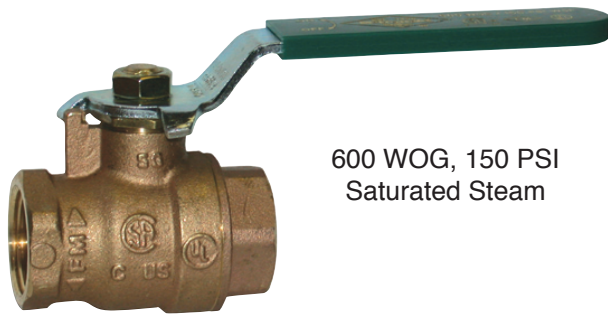


# FORGED BRASS LOW PRESSURE GAS VALVES - BALL STYLE

## 10710 GAS BALL VALVE

A.Y. McDonald Mfg. Co. **Gas Ball Valves** are constructed of heavy duty forged brass. They are designed for residential, commercial, and industrial use in low pressure gas applications. Valves listed are suitable for use with natural, manufactured, mixed and LP gases and with LP gas - air mixtures.

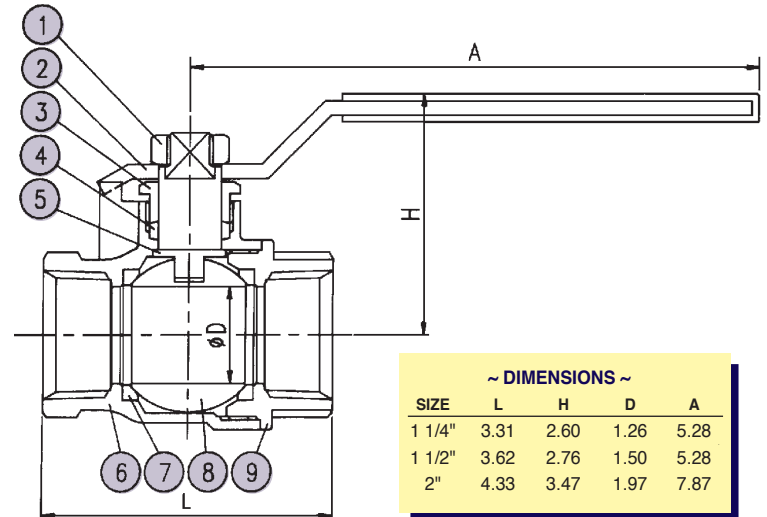
- **Inlet:** FIP Thread
- **Outlet:** FIP Thread
- **Sizes:** 1 1/4", 1 1/2", 2"



600 WOG, 150 PSI  
Saturated Steam

~ MATERIALS ~

NO.	PART	MATERIAL
1	Nut	Steel
2	Handle	Steel
3	Stem Gland Screw	Brass
4	Stem Packing	Teflon
5	Stem	Brass
6	Body	1 1/4"-1 1/2" Forged Brass 2" Cast Brass
7	Ball Disc Packing	Teflon
8	Ball	Chrome Plated Brass
9	End Plug	Forged Brass

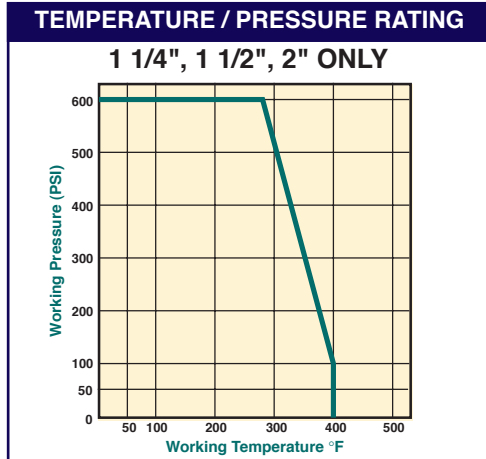


Valves manufactured to:

B16.44 5 PSIG

Z21.15 1/2 PSIG

842 5 PSIG



- Ambient working temp. = -40°F to 125°F (1 1/4" & 1 1/2")
- Ambient working temp. = 32°F to 125°F (2")
- Threads comply to ANSI B1.20.1
- 1/4 turn operation
- 2 piece forged brass body
- Blow out proof stem
- Full Port
- Conforms to MSS-SP-110
- Teflon Seats